

# Speedmachine

Sizing Guide

THE  
E  
B

# Table of content

<b>Introduction</b>	<b>5</b>
<b>Sizing and parts selection</b>	<b>5</b>
Positioning	5
<b>Frame geometry</b>	<b>6</b>
General frame geometry	6
<b>Sizing table summary</b>	<b>6</b>
<b>How to measure your current position</b>	<b>7</b>
With your current bike	7
Fit coordinates	8
<b>Frame size and cockpit configuration</b>	<b>8</b>
Profile Design options	9
Custom options	9
Frame size, Base bar, Tilt, Stack and Reach	10
1. Tilt selection	10
2. Stack and Reach tables - Tilt 0°	11
2. Stack and Reach tables - Tilt 5°	12
2. Stack and Reach tables - Tilt 10°	13
2. Stack and Reach tables - Tilt 15°	14
3. Width and final armrest pads positions	15
4. Seat post hardware position	16

## Speedmachine Gen1 Sizing Guide - V2 - October 2024 - English

Copyright © 2023 BMC Switzerland AG. All rights reserved.

BMC Switzerland AG | Sportstrasse 49 | CH-2540 Grenchen | Switzerland

☎ +41 32 654 14 54 | ✉ info@bmc-switzerland.com | www.bmc-switzerland.com

THE  
E  
B

# Introduction

The Speedmachine represents the pinnacle of functional integration, aerodynamic form and rider-focused fit. By patiently following these guidelines, the content of this manual will lead to properly fitting and functioning equipment with a high-performance, Swiss Engineered aesthetic.

BMC Speedmachine frame and components are designed as a system to provide a very high level of aerodynamics and riding performance. Adjustability was not in any way compromised and the Speedmachine offers the highest adjustment possibility ever built into a fully integrated triathlon or time trial bicycle.

Adjustability being a key part of the system's performance, it is necessary to understand that most components of the frameset have been designed specifically for speedmachine and their function may slightly differ from your traditional road bike "off the shelf" components.

BMC speedmachine uses all the latest and most high-end technologies that can be found in bicycle manufacturing, including sharp edged and thin-walled carbon fiber composite construction, which should be treated with delicacy from the end user to prevent permanent and sometimes invisible damage.

For the reasons mentioned above, we ask you to carefully follow the instructions provided in this manual.

Incorrect mechanical operation on your bicycle could lead to serious damage, which could cause you to fall and lead to injury or death.

If you do not have the appropriate tools or experience to execute the following instructions, or if you need further information, please contact your official BMC dealer for service of your bicycle.

**⚠ WARNING:** This guide is not an assembly manual – it is solely intended for identifying which configurations can match a given position.

Please refer to the SPEEDMACHINE Gen1 Owners Manual for all assembly instructions.

## Sizing and parts selection

### Positioning

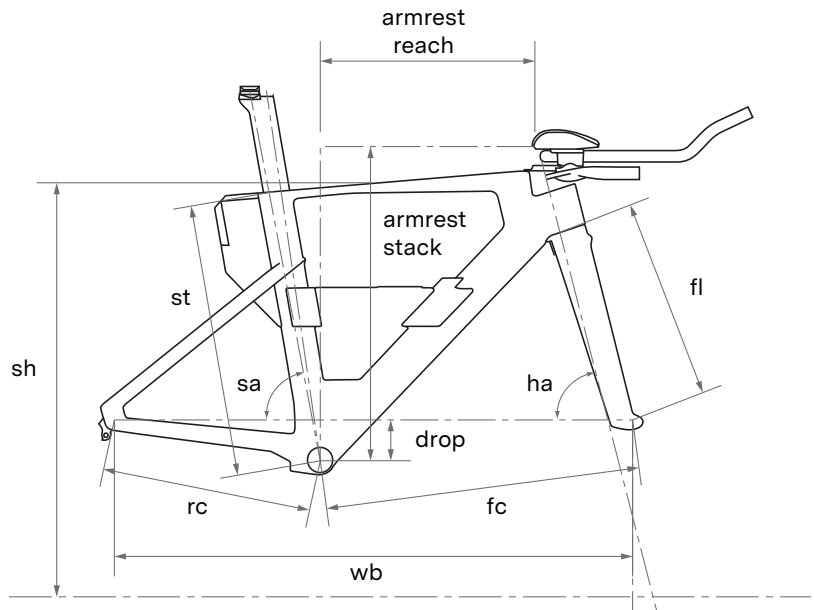
A bicycle rider will only perform at his best if he is correctly positioned on his bike, especially for triathlon and time trial competitions.

The following instructions are simple guidelines to help you decide which size and which extension configuration to choose in order to reach a given handlebar position. We do not in any way provide you with a fitting tool, those instructions can only help you once your position is defined. If you wish to change the position from your previous bike or if the speedmachine will be your first triathlon or time trial bike, we highly recommend you to visit a professional fitting expert.

Many different handlebar types and shapes are available on the market and it is not possible for BMC to guarantee accurate positioning for all of them. The base bar, arm-rest set, extensions and seat post provided with the speedmachine complete bikes and modules were carefully selected to offer the highest adjustment possibilities in a light, reliable and user-friendly package. Therefore we suggest you start by using the original speedmachine components and carefully follow the instructions. Then, multiple customization options are described later in this manual.

# Frame geometry

## General frame geometry



Size	S	M	L
Rider Height cm	<174	172-185	>180
Armrest Stack (stack)	558-650	586-678	628-720
Armrest Reach (reach)	348-467	368-487	395-514
Seat Tube (st)	460	525	551
Seat Tube Angle ° (sa)	80°	80°	82,4°
Rear Center (rc)	405	405	405
Front Center (fc)	578	606	646
Wheelbase (wb)	974	1000	1040
BB drop (drop)	62	72	72
Fork Length (fl)	391	391	392
Standover Height (sh)	766	806	837

**i** INFORMATION: Values communicated are for the Flat Base bar and consider all variations of tilt.

## Sizing table summary

This table regroup every adjustment range available by frame size.

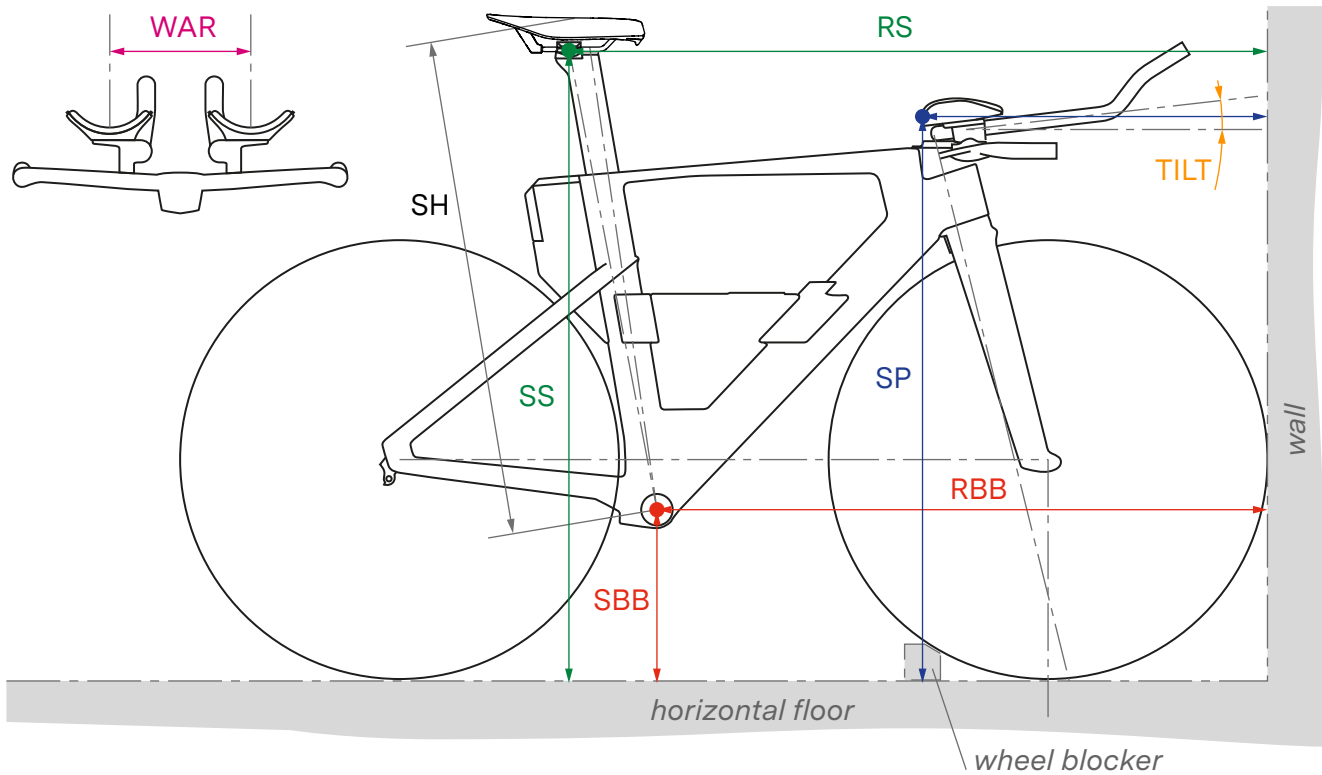
**i** INFORMATION: This sizing method do not integrate the tilt adjustment offered by the Profile Design Aeria. We are starting with a “0° setup” and the tilt adjustment can be applied later.

		S		M		L	
<b>Rider size</b> ( <i>Recommended, theoretical</i> )		< 174		172	185	> 180	
<b>Saddle height</b> ( <i>theoretical</i> )		< 725		715	782	> 755	
<b>Saddle height range</b> ( <i>uncut seatpost</i> )		610	740	705	835	761	891
<b>Saddle height min</b> ( <i>cut seatpost</i> )		575		640		666	
<b>Flat base bar</b>	<b>Armrest stack</b>	558	650	586	678	628	720
	<b>Armrest reach</b>	348	467	368	487	395	514
<b>Low base bar</b>	<b>Armrest stack</b>	525	617	553	645	595	687
	<b>Armrest reach</b>	383	502	403	522	430	549

# How to measure your current position

## With your current bike

In the best scenario, you already have a bike adjusted to your desired position. If there is any doubt for you regarding which position you should use, we highly recommend you to visit a professional bike fitting expert, who will be able to give you the required data.



To take those measurements, the easiest way is to place your bike on a even, horizontal floor and lean it in a corner of a room so the bike is parallel to a wall and the front wheel against the perpendicular wall of your room corner.

All values for Pad X are given to the rear of the armrest pad.

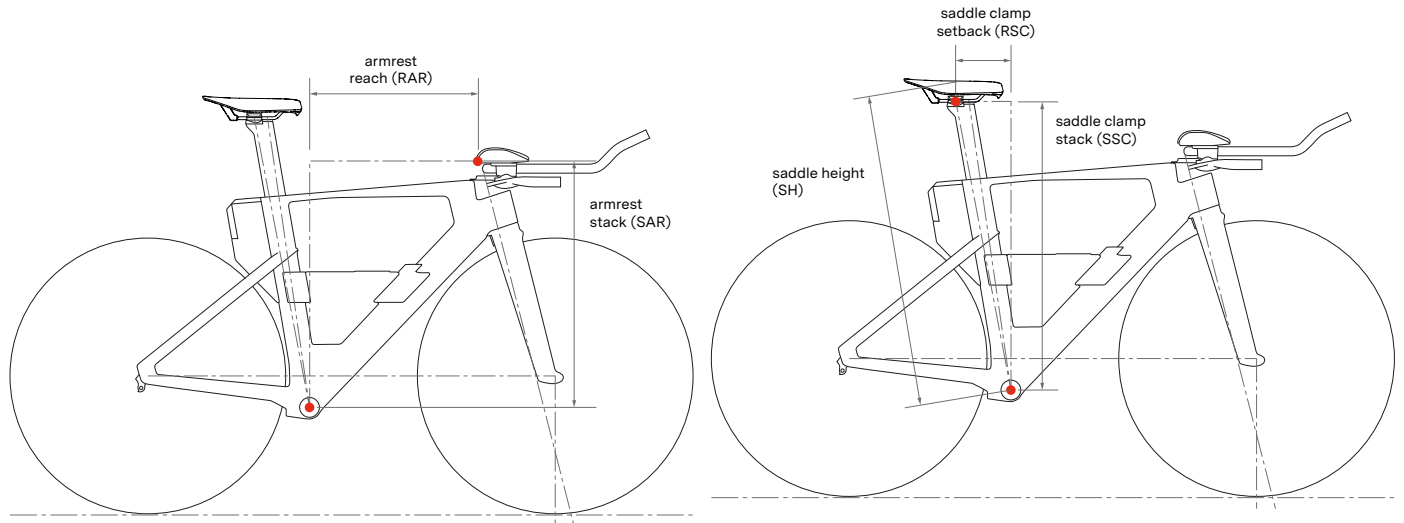
Values for Pad Stack and Reach include the cushion.

Take the following measurements:

- Vertical distance *from* the floor *to* the BB axle center (SBB).....
- Horizontal distance *from* the front wall *to* the BB axle center (RBB).....
- Vertical distance *from* the floor *to* the back of your pads (SP).....
- Horizontal distance *from* the front wall *to* the back of your pads (RP).....
- Vertical distance *from* the floor *to* the center of the saddle clamp (SS).....
- Horizontal distance *from* the front wall *to* the center of the saddle clamp (RS).....
- Distance *from* saddle top *to* the BB axle center (SH).....
- Armrest/extensions tilt (TILT).....

## Fit coordinates

You can extract the final fit coordinates from the previous paragraph or from a bike fitting report.



	Measured distance Contact Point	Measured distance Bottom Bracket	Final measurements	
Armrest/extensions tilt			TILT	
Armrest pad reach	RBB -	RP =	RAR	.....
Armrest pad stack	SP -	SBB =	SAR	.....
Armrest Width value			WAR	.....
Saddle height			SH	.....
Saddle clamp stack	SS -	SBB =	SSC	.....
Saddle clamp reach	RS -	RBB =	RSC	.....

## Frame size and cockpit configuration

**⚠ WARNING:** This sizing process is a starting point using your current fit coordinates. Please always consider the help of a professional bike fitter to get yourself fitted onto the Speedmachine.

**ℹ INFORMATION:** The sizing guide starts with components initially delivered with your bike or module. If your current fit coordinates are not matching the adjustment ranges offered by the initial specifications it continues by suggesting components that are optional and available through our after-market program.

**ℹ INFORMATION:** Even with the best range of stack and reach adjustment, the Speedmachine may not be able to cover some extreme fit coordinates. You always have the possibilities to get the bike to fit yours using after-market customized cockpit solutions that would be assembled on the Speedmachine Base bar.

**ℹ INFORMATION:** The cockpit must comply with Profile Design Aeria 3 interface.

**⚠ WARNING:** You always must check compatibility and safety with the cockpit manufacturer.



## Profile Design options

Profile Design offers a wide range of compatible parts to tune your cockpit setup to your needs.

You can find the latest product information on [www.profile-design.com](http://www.profile-design.com).

Extensions	Description	Part Number
43ASC-340	Shaped aero carbon extensions, 340mm long	ACASC43EXT340
43ASC-400	Shaped aero carbon extensions, 400mm long	ACASC43EXT400
50SLC	50deg carbon extension, designed for low weight	ACSLC50EXT400
35SLC	35deg carbon extension, designed for low weight	ACSLC35EXT400
43SLC	43deg carbon extension, designed for low weight	ACSLC43EXT400
4525SLC	25deg carbon extension, designed for low weight	Stock part
52a	52deg alloy extensions	AC52EXT400
39a	39deg alloy extensions	AC39EXT400
26a	26deg alloy extensions	AC26EXT400

Armrests	Description	Part Number
Race+	A tighter cup for riders that like to feel locked in	ACMRCKT1
Ergo+	A highly adjustable armrest intended for comfort	Stock part

Armpads	Description	Part Number
10mm	A high density pad with a grooved surface for grip and water dispersion	Stock part
15-10mm	Adds 5mm under the elbow with a taper to 10mm sides	ACMER105PAD
10-5mm	10mm under the elbow with 5mm on the sides for comfort on the Race+ armrest	ACMER1510PAD

Brackets	Description	Part Number
A2 Race	A lighter, smaller platform bracket with less adjustment than the standard model	ACARARBRKT
A2 Standard	A highly adjustable bracket offering a wide range of pad positions and 15deg of tilt	Stock part

Risers	Description	Part Number
A3A Low	5-35mm of spacers, no bridge required	ACA3ALRSKT
A3A High	40-65mm of spacers with a 5mm bridge. Bridge is not UCI legal	ACA3AHRSKT
A3C High	Required for UCI legal racing, features an integrated carbon bridge	ACA3CHRSKT

## Custom options

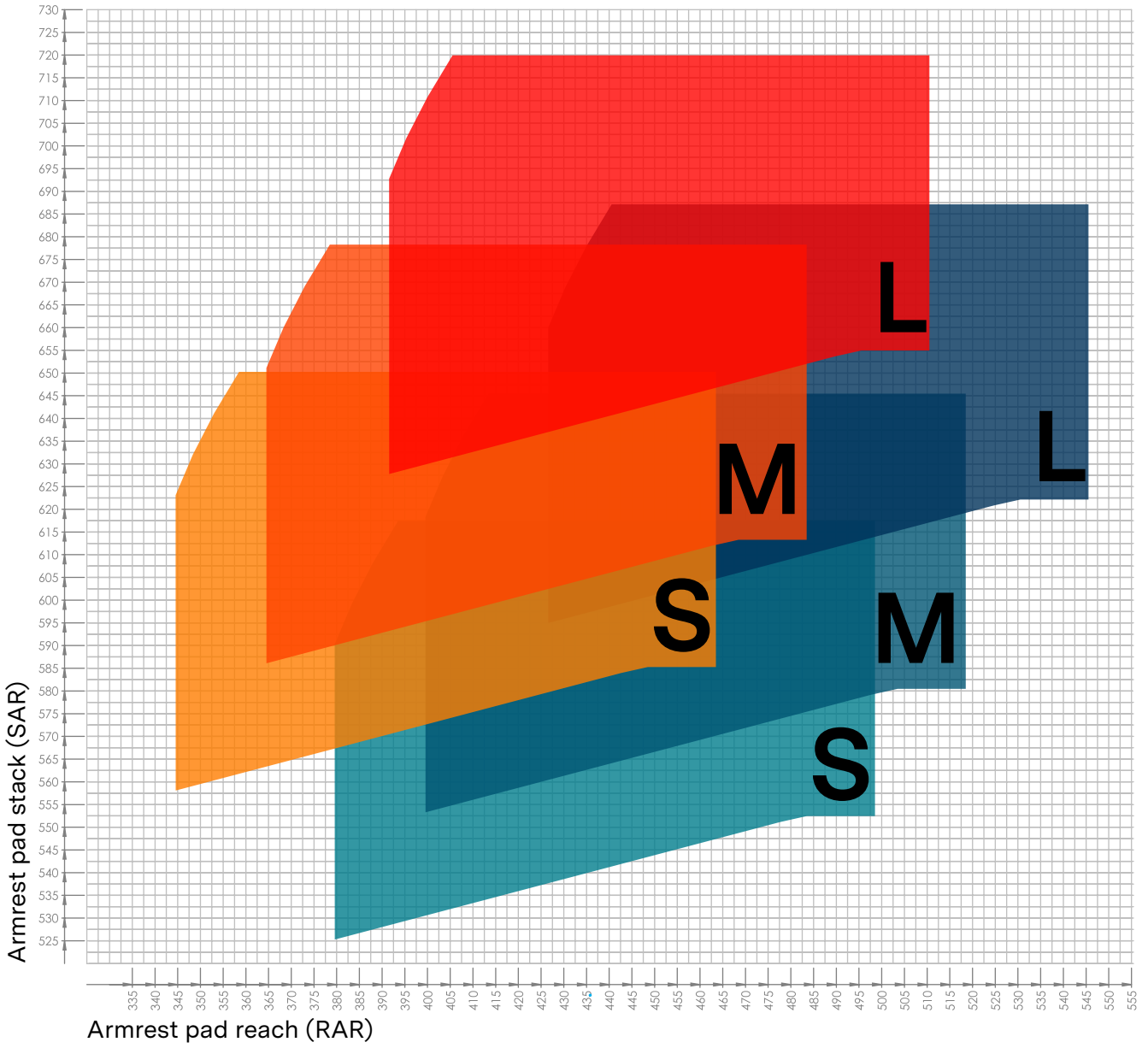
As the Speedmachine Base bar complies with Profile Design Aeria 3 interface, you could opt for a full customized solution.

Here are some existing custom cockpit manufacturers (not limited to this list).

- UNIQO CUSTOM BIKES [www.uniqocustombikes.com](http://www.uniqocustombikes.com)
- WATTSHOP [www.shopforwatts.co.uk](http://www.shopforwatts.co.uk)
- SWISS SIDE [www.swisside.com](http://www.swisside.com)
- AEROCOACH [www.aero-coach.co.uk](http://www.aero-coach.co.uk)
- FAST TT [www.fasttt.bike](http://www.fasttt.bike)

# Frame size, Base bar, Tilt, Stack and Reach

For a quick selection of your Frame and Base bar, you can use your SAR and RAR values and report them on the Speedmachine Stack Pad and Reach Pad graphic below.



For a detailed configuration, we will find the matching Speedmachine setup using the following steps:

1. Lookup for your tilt
- 2A. Use your Armrest Stack value (SAR) and find your [Base bar type](#) and [Reach Pad position](#).
- 2B. Use your Armrest Reach value (RAR) and find your [Stack Pad position](#).
3. Use your Armrest Width value (WAR) and find your Width pad setup and position
4. Use your Saddle Clamp values (SSC and RSC) and find your saddle clamp setup.

## 1. Tilt selection

Tilt could be adjusted to every degree of precision. To make your setup process easier, we have simplified the tilt selection to 0°, 5°, 10° and 15°.

Select the nearest tilt value and go to the appropriate page:

- 0° go to page "Tilt 0°", page 12
- 5° go to page "Tilt 5°", page 14
- 10° go to page "Tilt 10°", page 16
- 15° go to page "Tilt 15°", page 18

## 2. Stack and Reach tables - Tilt 0°

**2A. Reach:** select the closest Reach value (RAR) from the table and note *Base bar type* and the *Reach Pad position*.

Frame	Base bar													
S	Flat	362 <sup>1</sup>	377 <sup>2</sup>	392 <sup>3</sup>	407 <sup>4</sup>	422 <sup>5</sup>	437 <sup>6</sup>	452 <sup>7</sup>	467 <sup>8</sup>					
M	Flat		382 <sup>1</sup>	397 <sup>2</sup>	412 <sup>3</sup>	427 <sup>4</sup>	442 <sup>5</sup>	457 <sup>6</sup>	472 <sup>7</sup>	487 <sup>8</sup>				
L	Flat				409 <sup>1</sup>	424 <sup>2</sup>	439 <sup>3</sup>	454 <sup>4</sup>	469 <sup>5</sup>	484 <sup>6</sup>	499 <sup>7</sup>	514 <sup>8</sup>		
S	Low			397 <sup>1</sup>	412 <sup>2</sup>	427 <sup>3</sup>	442 <sup>4</sup>	457 <sup>5</sup>	472 <sup>6</sup>	487 <sup>7</sup>	502 <sup>8</sup>			
M	Low				417 <sup>1</sup>	432 <sup>2</sup>	447 <sup>3</sup>	462 <sup>4</sup>	477 <sup>5</sup>	492 <sup>6</sup>	507 <sup>7</sup>	522 <sup>8</sup>		
L	Low						444 <sup>1</sup>	459 <sup>2</sup>	474 <sup>3</sup>	489 <sup>4</sup>	504 <sup>5</sup>	519 <sup>6</sup>	534 <sup>7</sup>	549 <sup>8</sup>

**2B. Stack:** select the closest Stack value (SAR) from the different frame size tables using the *Base bar type* and the *Reach Pad position* and note the *Stack Pad position*.

frame size S		Reach Pad position							
Flat	Low	1	2	3	4	5	6	7	8
Stack Pad position		0mm	15mm	30mm	45mm	60mm	75mm	90mm	105mm
1	0mm	552	552	552	552	552	552	552	552
2	5mm	557	557	557	557	557	557	557	557
3	10mm	562	562	562	562	562	562	562	562
4	15mm	567	567	567	567	567	567	567	567
5	20mm	572	572	572	572	572	572	572	572
6	25mm	577	577	577	577	577	577	577	577
7	30mm	582	582	582	582	582	582	582	582
1	0mm	585	585	585	585	585	585	585	585
2	5mm	587	587	587	587	587	587	587	587
3	10mm	590	590	590	590	590	590	590	590
4	15mm	592	592	592	592	592	592	592	592
5	20mm	595	595	595	595	595	595	595	595
6	25mm	597	597	597	597	597	597	597	597
7	30mm	600	600	600	600	600	600	600	600
8	35mm	602	602	602	602	602	602	602	602
9	40mm	605	605	605	605	605	605	605	605
10	45mm	607	607	607	607	607	607	607	607
11	50mm	610	610	610	610	610	610	610	610
12	55mm	612	612	612	612	612	612	612	612
13	60mm	615	615	615	615	615	615	615	615
14	65mm	617	617	617	617	617	617	617	617
1	0mm	620	620	620	620	620	620	620	620
2	5mm	625	625	625	625	625	625	625	625
3	10mm	630	630	630	630	630	630	630	630
4	15mm	635	635	635	635	635	635	635	635
5	20mm	640	640	640	640	640	640	640	640
6	25mm	645	645	645	645	645	645	645	645
7	30mm	650	650	650	650	650	650	650	650

<b>frame size M</b>			<b>Reach Pad position</b>							
<b>Flat</b>	<b>Low</b>	<b>Stack Pad position</b>	<b>1</b>	<b>2</b>	<b>3</b>	<b>4</b>	<b>5</b>	<b>6</b>	<b>7</b>	<b>8</b>
			0mm	15mm	30mm	45mm	60mm	75mm	90mm	105mm
	1	0mm	580	580	580	580	580	580	580	580
	2	5mm	585	585	585	585	585	585	585	585
	3	10mm	590	590	590	590	590	590	590	590
	4	15mm	595	595	595	595	595	595	595	595
	5	20mm	600	600	600	600	600	600	600	600
	6	25mm	605	605	605	605	605	605	605	605
	7	30mm	610	610	610	610	610	610	610	610
1	0mm		613	613	613	613	613	613	613	613
	8	35mm	615	615	615	615	615	615	615	615
2	5mm		618	618	618	618	618	618	618	618
	9	40mm	620	620	620	620	620	620	620	620
3	10mm		623	623	623	623	623	623	623	623
	10	45mm	625	625	625	625	625	625	625	625
4	15mm		628	628	628	628	628	628	628	628
	11	50mm	630	630	630	630	630	630	630	630
5	20mm		633	633	633	633	633	633	633	633
	12	55mm	635	635	635	635	635	635	635	635
6	25mm		638	638	638	638	638	638	638	638
	13	60mm	640	640	640	640	640	640	640	640
7	30mm		643	643	643	643	643	643	643	643
	14	65mm	645	645	645	645	645	645	645	645
8	35mm		648	648	648	648	648	648	648	648
9	40mm		653	653	653	653	653	653	653	653
10	45mm		658	658	658	658	658	658	658	658
11	50mm		663	663	663	663	663	663	663	663
12	55mm		668	668	668	668	668	668	668	668
13	60mm		673	673	673	673	673	673	673	673
14	65mm		678	678	678	678	678	678	678	678

<b>frame size L</b>			<b>Reach Pad position</b>							
<b>Flat</b>	<b>Low</b>	<b>Stack Pad position</b>	<b>1</b>	<b>2</b>	<b>3</b>	<b>4</b>	<b>5</b>	<b>6</b>	<b>7</b>	<b>8</b>
			0mm	15mm	30mm	45mm	60mm	75mm	90mm	105mm
	1	0mm	622	622	622	622	622	622	622	622
	2	5mm	627	627	627	627	627	627	627	627
	3	10mm	632	632	632	632	632	632	632	632
	4	15mm	637	637	637	637	637	637	637	637
	5	20mm	642	642	642	642	642	642	642	642
	6	25mm	647	647	647	647	647	647	647	647
	7	30mm	652	652	652	652	652	652	652	652
1	0mm		655	655	655	655	655	655	655	655
	8	35mm	657	657	657	657	657	657	657	657
2	5mm		660	660	660	660	660	660	660	660
	9	40mm	662	662	662	662	662	662	662	662
3	10mm		665	665	665	665	665	665	665	665
	10	45mm	667	667	667	667	667	667	667	667
4	15mm		670	670	670	670	670	670	670	670
	11	50mm	672	672	672	672	672	672	672	672
5	20mm		675	675	675	675	675	675	675	675
	12	55mm	677	677	677	677	677	677	677	677
6	25mm		680	680	680	680	680	680	680	680
	13	60mm	682	682	682	682	682	682	682	682
7	30mm		685	685	685	685	685	685	685	685
	14	65mm	687	687	687	687	687	687	687	687
8	35mm		690	690	690	690	690	690	690	690
9	40mm		695	695	695	695	695	695	695	695
10	45mm		700	700	700	700	700	700	700	700
11	50mm		705	705	705	705	705	705	705	705
12	55mm		710	710	710	710	710	710	710	710
13	60mm		715	715	715	715	715	715	715	715
14	65mm		720	720	720	720	720	720	720	720

## 2. Stack and Reach tables - Tilt 5°

**2A. Reach:** select the closest Reach value from the table and note *Base bar type* and the *Reach Pad position*.

Frame	Base bar															
S	Flat	356 <sup>1</sup>	371 <sup>2</sup>	386 <sup>3</sup>	401 <sup>4</sup>	416 <sup>5</sup>	431 <sup>6</sup>	446 <sup>7</sup>	461 <sup>8</sup>							
M	Flat	376 <sup>1</sup>		391 <sup>2</sup>	406 <sup>3</sup>	421 <sup>4</sup>	436 <sup>5</sup>	451 <sup>6</sup>	466 <sup>7</sup>	481 <sup>8</sup>						
L	Flat				403 <sup>1</sup>	418 <sup>2</sup>	433 <sup>3</sup>	448 <sup>4</sup>	463 <sup>5</sup>	478 <sup>6</sup>	493 <sup>7</sup>	508 <sup>8</sup>				
S	Low				391 <sup>1</sup>	406 <sup>2</sup>	421 <sup>3</sup>	436 <sup>4</sup>	451 <sup>5</sup>	466 <sup>6</sup>	481 <sup>7</sup>	496 <sup>8</sup>				
M	Low					411 <sup>1</sup>	426 <sup>2</sup>	441 <sup>3</sup>	456 <sup>4</sup>	471 <sup>5</sup>	486 <sup>6</sup>	501 <sup>7</sup>	516 <sup>8</sup>			
L	Low							438 <sup>1</sup>	453 <sup>2</sup>	468 <sup>3</sup>	483 <sup>4</sup>	498 <sup>5</sup>	513 <sup>6</sup>	528 <sup>7</sup>	543 <sup>8</sup>	

**2B. Stack:** select the closest Stack value from the different frame size tables using the *Base bar type* and the *Reach Pad position* and note the *Stack Pad position*.

frame size S		Reach Pad position							
Flat	Low	1	2	3	4	5	6	7	8
Stack Pad position		0mm	15mm	30mm	45mm	60mm	75mm	90mm	105mm
1	0 mm	543	545	546	547	549	550	551	552
2	5 mm	548	550	551	552	554	555	556	557
3	10 mm	553	555	556	557	559	560	561	562
4	15 mm	558	560	561	562	564	565	566	567
5	20 mm	563	565	566	567	569	570	571	572
6	25 mm	568	570	571	572	574	575	576	577
7	30 mm	573	575	576	577	579	580	581	582
1	0 mm	576	577	579	580	581	583	584	585
8	35 mm	578	580	581	582	584	585	586	587
2	5 mm	581	582	584	585	586	588	589	590
9	40 mm	583	585	586	587	589	590	591	592
3	10 mm	586	587	589	590	591	593	594	595
10	45 mm	588	590	591	592	594	595	596	597
4	15 mm	591	592	594	595	596	598	599	600
11	50 mm	593	595	596	597	599	600	601	602
5	20 mm	596	597	599	600	601	603	604	605
12	55 mm	598	600	601	602	604	605	606	607
6	25 mm	601	602	604	605	606	608	609	610
13	60 mm	603	605	606	607	609	610	611	612
7	30 mm	606	607	609	610	611	613	614	615
14	65 mm	608	610	611	612	614	615	616	617
8	35 mm	611	612	614	615	616	618	619	620
9	40 mm	616	617	619	620	621	623	624	625
10	45 mm	621	622	624	625	626	628	629	630
11	50 mm	626	627	629	630	631	633	634	635
12	55 mm	631	632	634	635	636	638	639	640
13	60 mm	636	637	639	640	641	643	644	645
14	65 mm	641	642	644	645	646	648	649	650

<b>frame size M</b>			<b>Reach Pad position</b>							
<b>Flat</b>	<b>Low</b>	<b>Stack Pad position</b>	<b>1</b>	<b>2</b>	<b>3</b>	<b>4</b>	<b>5</b>	<b>6</b>	<b>7</b>	<b>8</b>
			<b>0mm</b>	<b>15mm</b>	<b>30mm</b>	<b>45mm</b>	<b>60mm</b>	<b>75mm</b>	<b>90mm</b>	<b>105mm</b>
	<b>1</b>	0 mm	571	573	574	575	577	578	579	580
	<b>2</b>	5 mm	576	578	579	580	582	583	584	585
	<b>3</b>	10 mm	581	583	584	585	587	588	589	590
	<b>4</b>	15 mm	586	588	589	590	592	593	594	595
	<b>5</b>	20 mm	591	593	594	595	597	598	599	600
	<b>6</b>	25 mm	596	598	599	600	602	603	604	605
	<b>7</b>	30 mm	601	603	604	605	607	608	609	610
<b>1</b>	0 mm		604	605	607	608	609	611	612	613
	<b>8</b>	35 mm	606	608	609	610	612	613	614	615
<b>2</b>	5 mm		609	610	612	613	614	616	617	618
	<b>9</b>	40 mm	611	613	614	615	617	618	619	620
<b>3</b>	10 mm		614	615	617	618	619	621	622	623
	<b>10</b>	45 mm	616	618	619	620	622	623	624	625
<b>4</b>	15 mm		619	620	622	623	624	626	627	628
	<b>11</b>	50 mm	621	623	624	625	627	628	629	630
<b>5</b>	20 mm		624	625	627	628	629	631	632	633
	<b>12</b>	55 mm	626	628	629	630	632	633	634	635
<b>6</b>	25 mm		629	630	632	633	634	636	637	638
	<b>13</b>	60 mm	631	633	634	635	637	638	639	640
<b>7</b>	30 mm		634	635	637	638	639	641	642	643
	<b>14</b>	65 mm	636	638	639	640	642	643	644	645
<b>8</b>	35 mm		639	640	642	643	644	646	647	648
<b>9</b>	40 mm		644	645	647	648	649	651	652	653
<b>10</b>	45 mm		649	650	652	653	654	656	657	658
<b>11</b>	50 mm		654	655	657	658	659	661	662	663
<b>12</b>	55 mm		659	660	662	663	664	666	667	668
<b>13</b>	60 mm		664	665	667	668	669	671	672	673
<b>14</b>	65 mm		669	670	672	673	674	676	677	678

<b>frame size L</b>			<b>Reach Pad position</b>							
<b>Flat</b>	<b>Low</b>	<b>Stack Pad position</b>	<b>1</b>	<b>2</b>	<b>3</b>	<b>4</b>	<b>5</b>	<b>6</b>	<b>7</b>	<b>8</b>
			<b>0mm</b>	<b>15mm</b>	<b>30mm</b>	<b>45mm</b>	<b>60mm</b>	<b>75mm</b>	<b>90mm</b>	<b>105mm</b>
	<b>1</b>	0 mm	613	614	616	617	618	620	621	622
	<b>2</b>	5 mm	618	619	621	622	623	625	626	627
	<b>3</b>	10 mm	623	624	626	627	628	630	631	632
	<b>4</b>	15 mm	628	629	631	632	633	635	636	637
	<b>5</b>	20 mm	633	634	636	637	638	640	641	642
	<b>6</b>	25 mm	638	639	641	642	643	645	646	647
	<b>7</b>	30 mm	643	644	646	647	648	650	651	652
<b>1</b>	0 mm		646	647	648	650	651	652	654	655
	<b>8</b>	35 mm	648	649	651	652	653	655	656	657
<b>2</b>	5 mm		651	652	653	655	656	657	659	660
	<b>9</b>	40 mm	653	654	656	657	658	660	661	662
<b>3</b>	10 mm		656	657	658	660	661	662	664	665
	<b>10</b>	45 mm	658	659	661	662	663	665	666	667
<b>4</b>	15 mm		661	662	663	665	666	667	669	670
	<b>11</b>	50 mm	663	664	666	667	668	670	671	672
<b>5</b>	20 mm		666	667	668	670	671	672	674	675
	<b>12</b>	55 mm	668	669	671	672	673	675	676	677
<b>6</b>	25 mm		671	672	673	675	676	677	679	680
	<b>13</b>	60 mm	673	674	676	677	678	680	681	682
<b>7</b>	30 mm		676	677	678	680	681	682	684	685
	<b>14</b>	65 mm	678	679	681	682	683	685	686	687
<b>8</b>	35 mm		681	682	683	685	686	687	689	690
<b>9</b>	40 mm		686	687	688	690	691	692	694	695
<b>10</b>	45 mm		691	692	693	695	696	697	699	700
<b>11</b>	50 mm		696	697	698	700	701	702	704	705
<b>12</b>	55 mm		701	702	703	705	706	707	709	710
<b>13</b>	60 mm		706	707	708	710	711	712	714	715
<b>14</b>	65 mm		711	712	713	715	716	717	719	720

## 2. Stack and Reach tables - Tilt 10°

**2A. Reach:** select the closest Reach value from the table and note *Base bar type* and the *Reach Pad position*.

Frame	Base bar													
S	Flat	351 <sup>1</sup>	366 <sup>2</sup>	381 <sup>3</sup>	396 <sup>4</sup>	410 <sup>5</sup>	425 <sup>6</sup>	440 <sup>7</sup>	455 <sup>8</sup>					
M	Flat	371 <sup>1</sup>		386 <sup>2</sup>	401 <sup>3</sup>	416 <sup>4</sup>	430 <sup>5</sup>	445 <sup>6</sup>	460 <sup>7</sup>	475 <sup>8</sup>				
L	Flat				398 <sup>1</sup>	413 <sup>2</sup>	428 <sup>3</sup>	443 <sup>4</sup>	457 <sup>5</sup>	472 <sup>6</sup>	487 <sup>7</sup>	502 <sup>8</sup>		
S	Low				386 <sup>1</sup>	401 <sup>2</sup>	416 <sup>3</sup>	431 <sup>4</sup>	445 <sup>5</sup>	460 <sup>6</sup>	475 <sup>7</sup>	490 <sup>8</sup>		
M	Low			406 <sup>1</sup>	421 <sup>2</sup>	436 <sup>3</sup>	451 <sup>4</sup>	465 <sup>5</sup>	480 <sup>6</sup>	495 <sup>7</sup>	510 <sup>8</sup>			
L	Low						433 <sup>1</sup>	448 <sup>2</sup>	463 <sup>3</sup>	478 <sup>4</sup>	492 <sup>5</sup>	507 <sup>6</sup>	522 <sup>7</sup>	537 <sup>8</sup>

**2B. Stack:** select the closest Stack value from the different frame size tables using the *Base bar type* and the *Reach Pad position* and note the *Stack Pad position*.

frame size S			Reach Pad position							
Flat	Low	Stack Pad position	1	2	3	4	5	6	7	8
			0mm	15mm	30mm	45mm	60mm	75mm	90mm	105mm
	1	0 mm	534	537	539	542	545	547	550	552
	2	5 mm	539	542	544	547	550	552	555	557
	3	10 mm	544	547	549	552	555	557	560	562
	4	15 mm	549	552	554	557	560	562	565	567
	5	20 mm	554	557	559	562	565	567	570	572
	6	25 mm	559	562	564	567	570	572	575	577
	7	30 mm	564	567	569	572	575	577	580	582
1	0 mm		567	570	572	575	577	580	583	585
	8	35 mm	569	572	574	577	580	582	585	587
2	5 mm		572	575	577	580	582	585	588	590
	9	40 mm	574	577	579	582	585	587	590	592
3	10 mm		577	580	582	585	587	590	593	595
	10	45 mm	579	582	584	587	590	592	595	597
4	15 mm		582	585	587	590	592	595	598	600
	11	50 mm	584	587	589	592	595	597	600	602
5	20 mm		587	590	592	595	597	600	603	605
	12	55 mm	589	592	594	597	600	602	605	607
6	25 mm		592	595	597	600	602	605	608	610
	13	60 mm	594	597	599	602	605	607	610	612
7	30 mm		597	600	602	605	607	610	613	615
	14	65 mm	599	602	604	607	610	612	615	617
8	35 mm		602	605	607	610	612	615	618	620
9	40 mm		607	610	612	615	617	620	623	625
10	45 mm		612	615	617	620	622	625	628	630
11	50 mm		617	620	622	625	627	630	633	635
12	55 mm		622	625	627	630	632	635	638	640
13	60 mm		627	630	632	635	637	640	643	645
14	65 mm		632	635	637	640	642	645	648	650



<b>frame size M</b>			<b>Reach Pad position</b>							
<b>Flat</b>	<b>Low</b>		<b>1</b>	<b>2</b>	<b>3</b>	<b>4</b>	<b>5</b>	<b>6</b>	<b>7</b>	<b>8</b>
	<b>Stack Pad position</b>		0mm	15mm	30mm	45mm	60mm	75mm	90mm	105mm
	1	0 mm	562	565	567	570	573	575	578	580
	2	5 mm	567	570	572	575	578	580	583	585
	3	10 mm	572	575	577	580	583	585	588	590
	4	15 mm	577	580	582	585	588	590	593	595
	5	20 mm	582	585	587	590	593	595	598	600
	6	25 mm	587	590	592	595	598	600	603	605
	7	30 mm	592	595	597	600	603	605	608	610
1	0 mm		595	598	600	603	605	608	611	613
	8	35 mm	597	600	602	605	608	610	613	615
2	5 mm		600	603	605	608	610	613	616	618
	9	40 mm	602	605	607	610	613	615	618	620
3	10 mm		605	608	610	613	615	618	621	623
	10	45 mm	607	610	612	615	618	620	623	625
4	15 mm		610	613	615	618	620	623	626	628
	11	50 mm	612	615	617	620	623	625	628	630
5	20 mm		615	618	620	623	625	628	631	633
	12	55 mm	617	620	622	625	628	630	633	635
6	25 mm		620	623	625	628	630	633	636	638
	13	60 mm	622	625	627	630	633	635	638	640
7	30 mm		625	628	630	633	635	638	641	643
	14	65 mm	627	630	632	635	638	640	643	645
8	35 mm		630	633	635	638	640	643	646	648
9	40 mm		635	638	640	643	645	648	651	653
10	45 mm		640	643	645	648	650	653	656	658
11	50 mm		645	648	650	653	655	658	661	663
12	55 mm		650	653	655	658	660	663	666	668
13	60 mm		655	658	660	663	665	668	671	673
14	65 mm		660	663	665	668	670	673	676	678

<b>frame size L</b>			<b>Reach Pad position</b>							
<b>Flat</b>	<b>Low</b>		<b>1</b>	<b>2</b>	<b>3</b>	<b>4</b>	<b>5</b>	<b>6</b>	<b>7</b>	<b>8</b>
	<b>Stack Pad position</b>		0mm	15mm	30mm	45mm	60mm	75mm	90mm	105mm
	1	0 mm	604	607	609	612	614	617	620	622
	2	5 mm	609	612	614	617	619	622	625	627
	3	10 mm	614	617	619	622	624	627	630	632
	4	15 mm	619	622	624	627	629	632	635	637
	5	20 mm	624	627	629	632	634	637	640	642
	6	25 mm	629	632	634	637	639	642	645	647
	7	30 mm	634	637	639	642	644	647	650	652
1	0 mm		637	639	642	645	647	650	652	655
	8	35 mm	639	642	644	647	649	652	655	657
2	5 mm		642	644	647	650	652	655	657	660
	9	40 mm	644	647	649	652	654	657	660	662
3	10 mm		647	649	652	655	657	660	662	665
	10	45 mm	649	652	654	657	659	662	665	667
4	15 mm		652	654	657	660	662	665	667	670
	11	50 mm	654	657	659	662	664	667	670	672
5	20 mm		657	659	662	665	667	670	672	675
	12	55 mm	659	662	664	667	669	672	675	677
6	25 mm		662	664	667	670	672	675	677	680
	13	60 mm	664	667	669	672	674	677	680	682
7	30 mm		667	669	672	675	677	680	682	685
	14	65 mm	669	672	674	677	679	682	685	687
8	35 mm		672	674	677	680	682	685	687	690
9	40 mm		677	679	682	685	687	690	692	695
10	45 mm		682	684	687	690	692	695	697	700
11	50 mm		687	689	692	695	697	700	702	705
12	55 mm		692	694	697	700	702	705	707	710
13	60 mm		697	699	702	705	707	710	712	715
14	65 mm		702	704	707	710	712	715	717	720

## 2. Stack and Reach tables - Tilt 15°

**2A. Reach:** select the closest Reach value from the table and note *Base bar type* and the *Reach Pad position*.

Frame	Base bar													
S	Flat	348 <sup>1</sup>	362 <sup>2</sup>	377 <sup>3</sup>	391 <sup>4</sup>	406 <sup>5</sup>	420 <sup>6</sup>	435 <sup>7</sup>	449 <sup>8</sup>					
M	Flat	368 <sup>1</sup>		382 <sup>2</sup>	397 <sup>3</sup>	411 <sup>4</sup>	426 <sup>5</sup>	440 <sup>6</sup>	455 <sup>7</sup>	469 <sup>8</sup>				
L	Flat				395 <sup>1</sup>	409 <sup>2</sup>	424 <sup>3</sup>	438 <sup>4</sup>	453 <sup>5</sup>	467 <sup>6</sup>	482 <sup>7</sup>	496 <sup>8</sup>		
S	Low				383 <sup>1</sup>	397 <sup>2</sup>	412 <sup>3</sup>	426 <sup>4</sup>	441 <sup>5</sup>	455 <sup>6</sup>	470 <sup>7</sup>	484 <sup>8</sup>		
M	Low			403 <sup>1</sup>	417 <sup>2</sup>	432 <sup>3</sup>		446 <sup>4</sup>	461 <sup>5</sup>	475 <sup>6</sup>	490 <sup>7</sup>	504 <sup>8</sup>		
L	Low						430 <sup>1</sup>	444 <sup>2</sup>	459 <sup>3</sup>	473 <sup>4</sup>	488 <sup>5</sup>	502 <sup>6</sup>	517 <sup>7</sup>	531 <sup>8</sup>

**2B. Stack:** select the closest Stack value from the different frame size tables using the *Base bar type* and the *Reach Pad position* and note the *Stack Pad position*.

frame size S			Reach Pad position							
Flat	Low	Stack Pad position	1	2	3	4	5	6	7	8
			0mm	15mm	30mm	45mm	60mm	75mm	90mm	105mm
	1	0 mm	525	529	533	537	541	545	549	552
	2	5 mm	530	534	538	542	546	550	554	557
	3	10 mm	535	539	543	547	551	555	559	562
	4	15 mm	540	544	548	552	556	560	564	567
	5	20 mm	545	549	553	557	561	565	569	572
	6	25 mm	550	554	558	562	566	570	574	577
	7	30 mm	555	559	563	567	571	575	579	582
1	0 mm		558	562	566	570	574	577	581	585
	8	35 mm	560	564	568	572	576	580	584	587
2	5 mm		563	567	571	575	579	582	586	590
	9	40 mm	565	569	573	577	581	585	589	592
3	10 mm		568	572	576	580	584	587	591	595
	10	45 mm	570	574	578	582	586	590	594	597
4	15 mm		573	577	581	585	589	592	596	600
	11	50 mm	575	579	583	587	591	595	599	602
5	20 mm		578	582	586	590	594	597	601	605
	12	55 mm	580	584	588	592	596	600	604	607
6	25 mm		583	587	591	595	599	602	606	610
	13	60 mm	585	589	593	597	601	605	609	612
7	30 mm		588	592	596	600	604	607	611	615
	14	65 mm	590	594	598	602	606	610	614	617
8	35 mm		593	597	601	605	609	612	616	620
9	40 mm		598	602	606	610	614	617	621	625
10	45 mm		603	607	611	615	619	622	626	630
11	50 mm		608	612	616	620	624	627	631	635
12	55 mm		613	617	621	625	629	632	636	640
13	60 mm		618	622	626	630	634	637	641	645
14	65 mm		623	627	631	635	639	642	646	650

<b>frame size M</b>			<b>Reach Pad position</b>							
<b>Flat</b>	<b>Low</b>		<b>1</b>	<b>2</b>	<b>3</b>	<b>4</b>	<b>5</b>	<b>6</b>	<b>7</b>	<b>8</b>
	<b>Stack Pad position</b>		0mm	15mm	30mm	45mm	60mm	75mm	90mm	105mm
	1	0 mm	553	557	561	565	569	573	577	580
	2	5 mm	558	562	566	570	574	578	582	585
	3	10 mm	563	567	571	575	579	583	587	590
	4	15 mm	568	572	576	580	584	588	592	595
	5	20 mm	573	577	581	585	589	593	597	600
	6	25 mm	578	582	586	590	594	598	602	605
	7	30 mm	583	587	591	595	599	603	607	610
1	0 mm	8	586	590	594	598	602	605	609	613
2	5 mm	9	588	592	596	600	604	608	612	615
		10	591	595	599	603	607	610	614	618
3	10 mm	11	593	597	601	605	609	613	617	620
		12	596	600	604	608	612	615	619	623
4	15 mm	13	598	602	606	610	614	618	622	625
		14	601	605	609	613	617	620	624	628
5	20 mm		603	607	611	615	619	623	627	630
			606	610	614	618	622	625	629	633
6	25 mm		608	612	616	620	624	628	632	635
			611	615	619	623	627	630	634	638
7	30 mm		613	617	621	625	629	633	637	640
			616	620	624	628	632	635	639	643
8	35 mm		618	622	626	630	634	638	642	645
			621	625	629	633	637	640	644	648
9	40 mm		626	630	634	638	642	645	649	653
			631	635	639	643	647	650	654	658
10	45 mm		636	640	644	648	652	655	659	663
			641	645	649	653	657	660	664	668
11	50 mm		646	650	654	658	662	665	669	673
			651	655	659	663	667	670	674	678

<b>frame size L</b>			<b>Reach Pad position</b>							
<b>Flat</b>	<b>Low</b>		<b>1</b>	<b>2</b>	<b>3</b>	<b>4</b>	<b>5</b>	<b>6</b>	<b>7</b>	<b>8</b>
	<b>Stack Pad position</b>		0mm	15mm	30mm	45mm	60mm	75mm	90mm	105mm
	1	0 mm	595	599	603	607	611	614	618	622
	2	5 mm	600	604	608	612	616	619	623	627
	3	10 mm	605	609	613	617	621	624	628	632
	4	15 mm	610	614	618	622	626	629	633	637
	5	20 mm	615	619	623	627	631	634	638	642
	6	25 mm	620	624	628	632	636	639	643	647
	7	30 mm	625	629	633	637	641	644	648	652
1	0 mm	8	628	632	636	639	643	647	651	655
		9	630	634	638	642	646	649	653	657
2	5 mm	10	633	637	641	644	648	652	656	660
		11	635	639	643	647	651	654	658	662
3	10 mm	12	638	642	646	649	653	657	661	665
		13	640	644	648	652	656	659	663	667
4	15 mm	14	643	647	651	654	658	662	666	670
			645	649	653	657	661	664	668	672
5	20 mm		648	652	656	659	663	667	671	675
			650	654	658	662	666	669	673	677
6	25 mm		653	657	661	664	668	672	676	680
			655	659	663	667	671	674	678	682
7	30 mm		658	662	666	669	673	677	681	685
			660	664	668	672	676	679	683	687
8	35 mm		663	667	671	674	678	682	686	690
			668	672	676	679	683	687	691	695
9	40 mm		673	677	681	684	688	692	696	700
			678	682	686	689	693	697	701	705
10	45 mm		683	687	691	694	698	702	706	710
			688	692	696	699	703	707	711	715
11	50 mm		693	697	701	704	708	712	716	720
			693	697	701	704	708	712	716	720

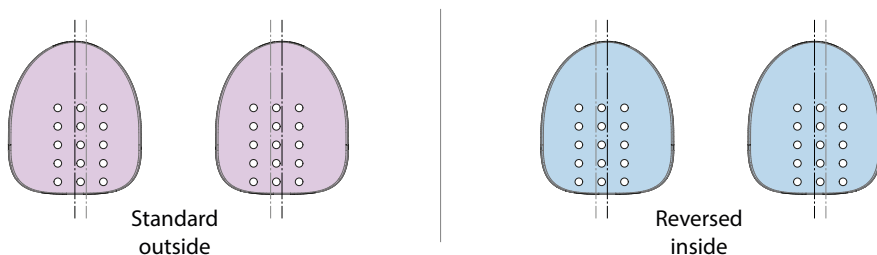
THE  
E  
B

### 3. Width and final armrest pads positions

To determine the armrest final setup and bolts positions, identify in the illustration below the right combinaison of:

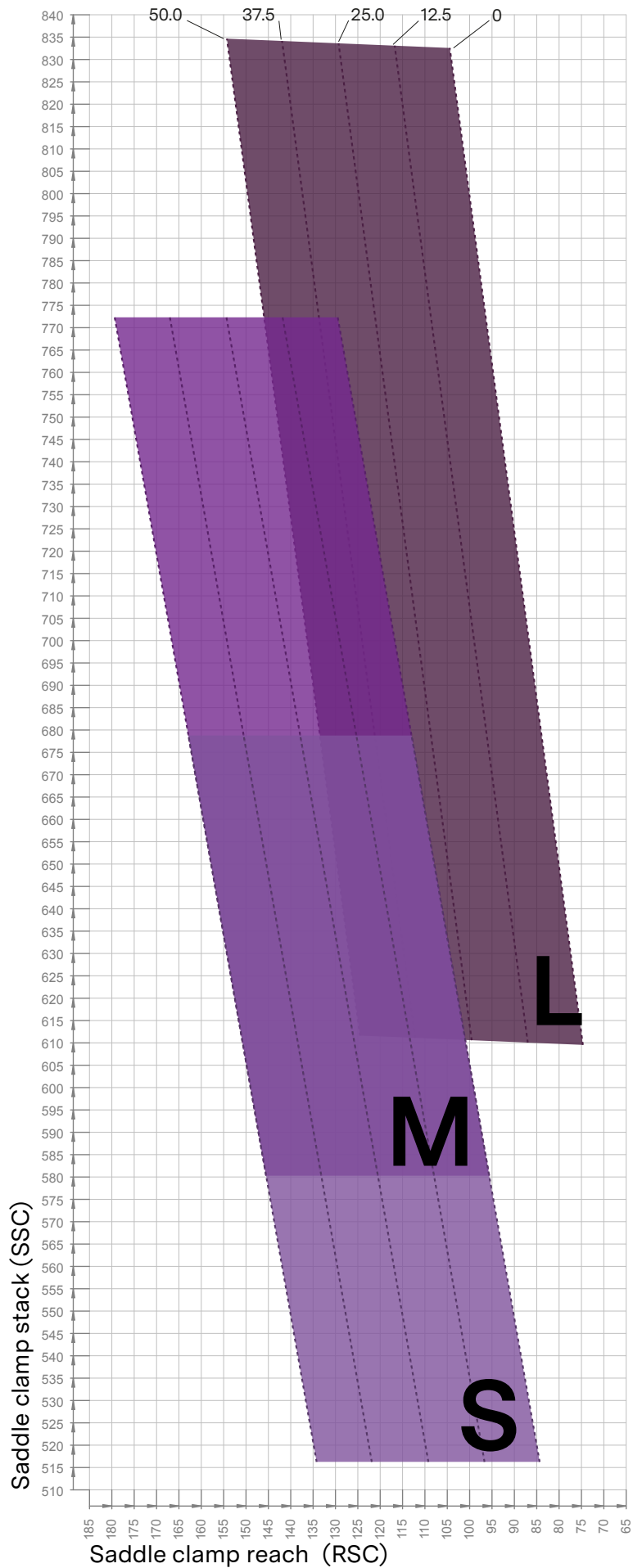
- *Reach Pad position* here in red.
- Armrest Width value (WAR) here in black.

You could invert left and right armrests to tune the armrest width.



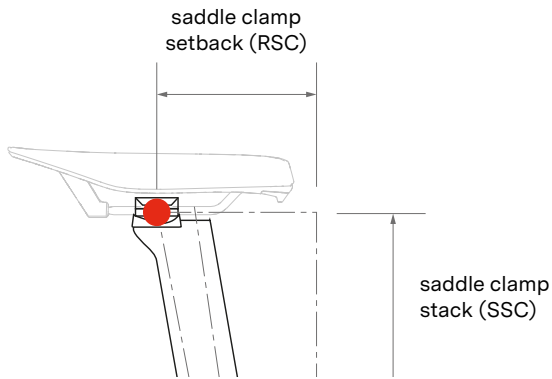
<b>8</b>							<b>8</b>	
<b>7</b>							<b>7</b>	
<b>6</b>							<b>6</b>	
<b>5</b>							<b>5</b>	
<b>4</b>							<b>4</b>	
<b>3</b>							<b>3</b>	
<b>2</b>							<b>2</b>	
<b>1</b>							<b>1</b>	
	124 <b>A</b>	142 <b>B</b>	161 <b>C</b>	179 <b>D</b>	198 <b>E</b>	216 <b>F</b>	235 <b>G</b>	253 <b>H</b>

### 4. Seat post hardware position



To determine the right position of the saddle clamp (seatpost hardware), you need to know SSC and RSC.

Place the SSC and RSC values in the chart. The point thus created will fall into a colored zone and near a dotted line.



- The color code will confirm the frame size saddle height adjustment (from bottom bracket to saddle clamp)
- The dotted line will guide you for the offset selection.

**⚠ WARNING:** Saddles are all different and this chart gives you a general information. Please double check your saddle adjustment on the final bike.

**ℹ INFORMATION:** The Speedmachine is delivered with a seatpost providing 0, 12.5 and 25mm offsets. If you need either 37.5 or 50mm offset, an optional seatpost is available in our after-market program.







**BMC**